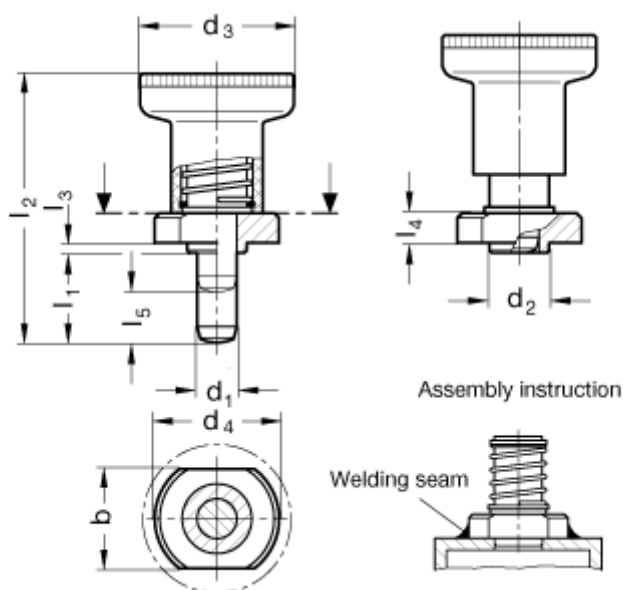


Article number: 201059023
 Description: E+G Indexing plunger
 GN 607.4-6-14-ST

Measures



$b = 18$	$l_4 = 5,5$
$d_1 = 6$	$l_5 = 6$
$d_2 = 10$	Max. axial load (N) = 400
$d_3 = 25$	Spring pressure end (N) = 22
$d_4 = 22$	Spring pressure preload (N) = 8,5
$l_1 = 14$	
$l_2 = 37/45$	
$l_3 = 1,5$	